

## 1. General Requirements

This power supply is designed for entry server computer systems. There are five DC outputs: +5V, +12V, -12V, +3.3V & +5VSB and it will provide power to all system components.

## 2. Input Requirements

### 2.1 Harmonics

The power supply shall incorporate universal power input active power factor correction, which shall reduce line harmonics in accordance with the EN61000-3-2 and JEIDA MITI standards.

### 2.2 AC Inlet Connector

The AC input connector shall be an IEC 320 C-14 power inlet.

### 2.3 AC Input Voltage Specification

The power supply must operate within all specified limits over the following input voltage range. Harmonic distortion of up to 10% THD must not cause the power supply to go out of specified limits.

**AC Input Rating**

Parameter	Min.	Nom.	Max.	Unit
Vin (Full range)	180-200	200-220	264	Vrms
Vin Frequency	50/60			Hz
Full Load	80%	100%	100%	Watts
AC Current	8			Arms

Note: Power factor correction (PFC) >0.95 at full load.

### 2.4 Efficiency

This model has 87% or greater energy efficient at 20%, 100% utilization, 90% or greater efficiency at 50% utilization, meets innovative.

### 2.5 AC Inrush Current

Maximum inrush current from power-on (with power on at any point on the AC sine) and including, but not limited to, three line cycles, shall be limited to a level below the surge rating of the input line cord, AC switch if present, bridge rectifier, fuse, and EMI filter components. Repetitive ON/OFF cycling of the AC input voltage should not damage the power supply or cause the input fuse to blow.

## 3. DC Output

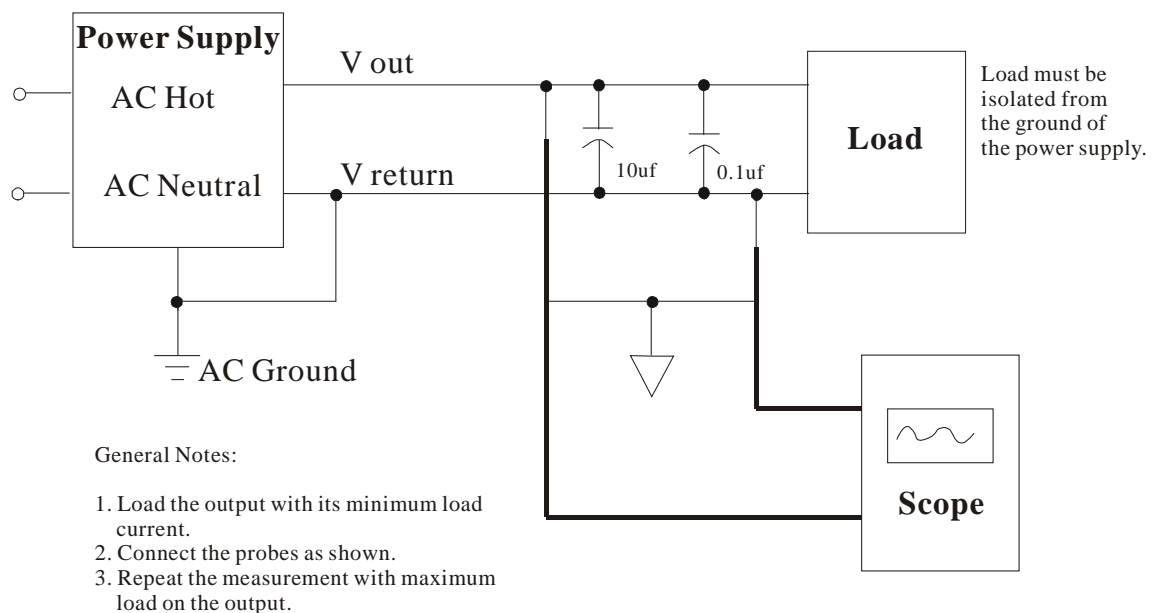
**3. DC Output**

**3.1 Voltage /Current**

Output Voltage	Minimum Load	Maximum Load	Load Reg.	Cross Reg.	Line Reg.	Ripple & Noise
+3.3V	0.1A	20A	±5%	±5%	±1%	50mV p.p
+5V	0.2A	20A	±5%	±5%	±1%	50 mV p.p
+12V	0.15A	108A	±5%	±5%	±1%	120 mV p.p
-12V	0A	0.5A	±5%	±5%	±1%	120 mV p.p
+5V <sub>SB</sub>	0A	2.5A	±5%	±5%	±1%	50mV p.p

Note:

- A. Maximum continuous total DC output power should not exceed 1300W.
- B. Combined 3.3V and 5V power shall not exceed 100W.
- C. Ripple and noise measurements shall be made under all specified load conditions through a single pole low pass filter with 20MHz cutoff frequency. A 0.1uF ceramic disk capacitors in parallel with a 10uF tantalum are placed at the point of measurement. See Figure 1.



**Figure 1. Differential Noise Test Setup**

**3.2 DC Connectors**

**3.2.1 Baseboard Power Connector**

Connector housing: 24(20+4)-Pin WST P/N: P20-I42002K11B + P4-I42002K11B or equivalent

**Pin and Cable Color Assignment**

Pin	Signal	Cable Color	Pin	Signal	Cable Color
-----	--------	-------------	-----	--------	-------------

1	+3.3VDC	Orange	11	+3.3VDC	Orange
2	+3.3VDC	Orange	12	-12VDC	Blue
3	COM	Black	13	COM	Black
4	+5VDC	Red	14	PS_ON	Green
5	COM	Black	15	COM	Black
6	+5VDC	Red	16	COM	Black
7	COM	Black	17	COM	Black
8	PWR OK	Gray	18	Reserved	N.C.
9	+5VSB	Purple	19	+5VDC	Red
10	+12VDC	Yellow	20	+5VDC	Red
1	+12VDC	Yellow	3	+5VDC	Red
2	+3.3VDC	Orange	4	COM	Black

### 3.2.2 PCI-E Power Connector for High Power Graphics Cards

For high-powered graphics cards an additional power connector to the baseboard may be needed. This connector supplies additional +12V power for the higher power level graphics cards used in workstation applications.

Connector housing: 6-Pin WST P/N: P6-I42002K5 or equivalent

#### Pin and Cable Color Assignment

Pin	Signal	Cable Color	Pin	Signal	Cable Color
1	+12VDC	Yellow	4	COM	Black
2	+12VDC	Yellow	5	COM	Black
3	+12VDC	Yellow	6	COM	Black

Connector housing: 8-(6+2) Pin WST: P6-I42002K13A&P2-I42002K13A or equivalent

#### Pin and Cable Color Assignment

Pin	Signal	Cable Color	Pin	Signal	Cable Color
1	+12VDC	Yellow	5	COM	Black
2	+12VDC	Yellow	6	COM	Black
3	+12VDC	Yellow	7	COM	Black
4	COM	Black	8	COM	Black

### 3.2.3 Processor Power Connector

Connector housing: 8(4+4) Pin WST P/N: P4-I42002K3B&P4-I42002K4B or equivalent

#### Pin and Cable Color Assignment

Pin	Signal	Cable Color	Pin	Signal	Cable Color
1	COM	Black	5	+12VDC	Yellow
2	COM	Black	6	+12VDC	Yellow

3	COM	Black	7	+12VDC	Yellow
4	COM	Black	8	+12VDC	Yellow

Connector housing: 4Pin WST P/N: P4-I42002 or equivalent

#### Pin and Cable Color Assignment

Pin	Signal	Cable Color	Pin	Signal	Cable Color
1	COM	Black	3	+12VDC	Yellow
2	COM	Black	4	+12VDC	Yellow

**Note: Output cables may be different in designated model on the length, connector type and/or quantity.**

### 3.3 Remote On/Off Control

The power supply DC outputs (with the exception of +5 VSB which is always available) are enabled with an active-low, TTL-compatible signal (“PS-ON”). When PS-ON is pulled to TTL low, the DC outputs are enabled. When PS-ON is pulled to TTL high or open-circuited, the DC outputs are disabled. PS-ON may be active by either electronic means or a mechanical switch.

### 3.4 Rise Time

The output voltage shall rise from 10% to within regulation limits within 0.1 to 25ms.

### 3.5 Overshoot t Turn-On/Turn-Off

The output voltage overshoot upon the application or removal of the input voltage under the conditions specified in section 2.3 shall less than 10% above the nominal voltage.

### 3.6 Hold-up Time

The power supply will maintain output regulation despite a loss of a minimum of 16 ms while at 75% of maximum load and over 230V AC input.

### 3.7 Power Good Signal

A “power good” signal is asserted by the supply to indicate that the +5VDC output is within regulation limits.

Power Good Signal Characteristics:

Signal Type:	+5V TTL compatible
Logic level low:	<0.4V while sinking 4mA
Logic level high:	Between 2.4V and 5V output while sourcing 200 $\mu$ A
High state impedance:	1K (from output to common)
POK delay:	100-500ms

Power fall warning time:	1ms minimum
--------------------------	-------------

## 4. Protection Circuits

### 4.1 Over Voltage Protection

The power supply over voltage protection shall be locally sensed. The power supply shall shutdown and latch off after an over voltage condition occurs. This latch shall be cleared by toggling the PSON# signal or by an AC power interruption. The below enclosed table contains over voltage limits. The values are measured at the output of the power supply's connector. The voltage shall never exceed the maximum levels when measured at the power pins of the power supply connector during any single point of fail. The voltage shall never trip any lower than the minimum levels when measured at the power pins of the power supply connector.

Output Voltage	MIN(V)	MAX(V)
+3.3V	3.76	4.3
+5V	5.5	7.0
+12V	13.4	15.6

### 4.2 Short Circuit Protection

A short circuit on any DC output will cause the power to latch. The power supply will withstand a continuous short circuit to the output without damage or overseers to the unit. The +5VSB can be shorted indefinitely and will recover automatically when the short is removed.

### 4.3 Over Power Protection (OPP)

The power supply shall go shutdown when the total output load is over 120-160% of rating.

## 5 Physical Environment

### 5.1 Operation Conditions

The power supply shall be capable of continuous operation and meet all electrical specification without need for adjustment when subjected to the following environmental conditions:

	Temp. vs. Load Condition	Humidity
Operation	0~40°C@Full Load	10%~90%RH
	50°C@80% Rated Load	
Storage	-20°C~80°C	5%~90%RH

\* No degradation of the power supply shall occur during shipping or storage at the specified condition.

**5.2 Shocks and Vibration**

The power supply will withstand the following imposed conditions without experiencing non-recoverable failure or deviation from specified output characteristics.

**6. Regulatory Compliance**

**6.1 Safety Requirements**

-

**6.2 Dielectric Strength**

Primary to Secondary: 1500 VAC for 1~3 seconds.

Primary to Frame Ground: 1500 VAC for 1~3 seconds.

**6.3 Insulation Resistance**

Primary to Secondary: 20 Meg. ohm Minimum.

Primary to Frame Ground: 20 Meg. ohm Minimum.

**6.4 Ground Leakage Current**

The power supply ground leakage current shall be less than 3.5mA.

The power supply grounding continuity shall be less than 100mΩ when the test current is at 25A.

**7. Reliability**

The power supply has a minimum predicted MTBF (MIL-STD-217E) of 100,000 hours of conditions operation at 25°C, maximum-output load, and nominal AC input voltage.

APPROVED BY: \_\_\_\_\_ CHECKED BY: \_\_\_\_\_ PREPARED BY: \_\_\_\_\_